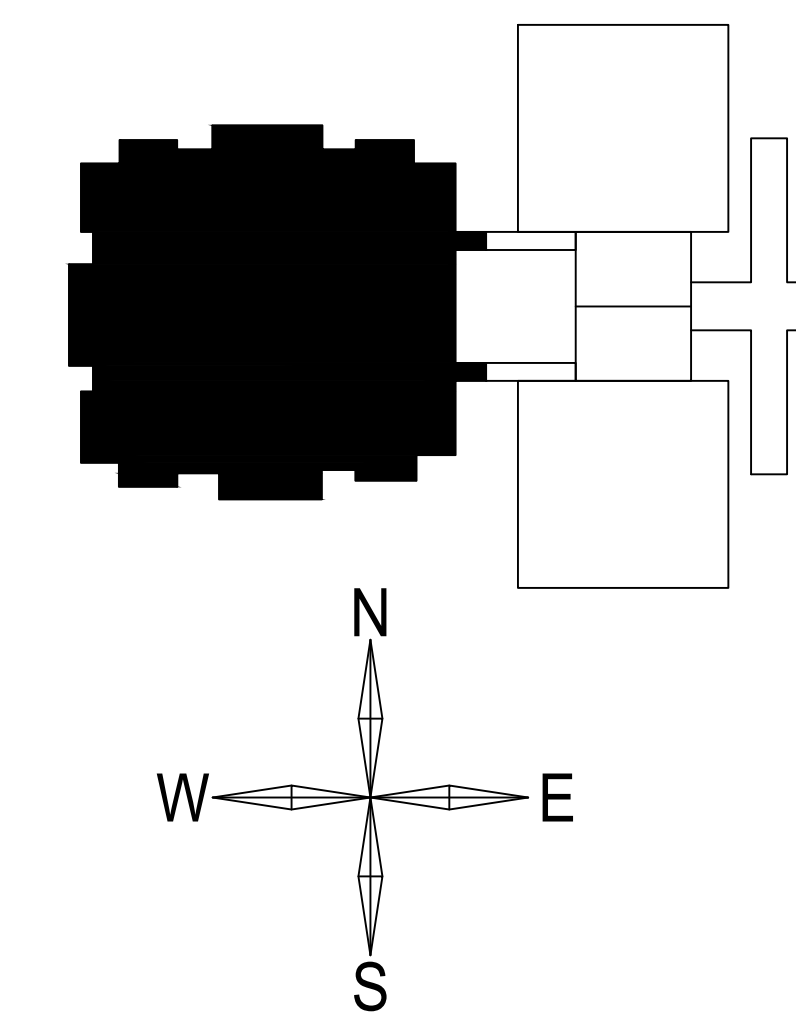


PINE GROVE
SCHOOL
AVON, CT
1ST FLOOR WEST
FIRE ALARM
PLAN

REVISION: E SCALE: NOT TO SCALE
DRAWN BY: TB DATE: MARCH 17, 2023



NOTE:
DRAWING SCALE IS APPROXIMATELY 1/8" = 1'

FA-3

▲ SMOKE DETECTOR ADDED IN 110 STORAGE

CM	CEILING MOUNT
CD	CO DETECTOR
DS	DUCT SMOKE DETECTOR
FS	SPRINKLER FLOW SWITCH
F	PULL STATION
RTS	REMOTE TEST SWITCH
S	SMOKE DETECTOR
FS	FIRE ALARM SPEAKER/STROBE
FS	FIRE ALARM STROBE
TS	SPRINKLER TAMPER SWITCH
WP	WEATHER PROOF
S	FIRE ALARM HORN TYPE SPEAKER
FRM	ADDRESSABLE RELAY MODULE
BL	LOCK DOWN BLUE STROBE
L	EMERGENCY LOCK DOWN BUTTON
EVAC	FIRE ALARM VOICE EVACUATION MICROPHONE
NAC	FIRE ALARM NOTIFICATION PANEL
FACP	FIRE ALARM CONTROL PANEL
FARA	FIRE ALARM REMOTE ANNUNCIATOR

- * ALL DEVICES IN RED ARE NEW
- * ALL DEVICES IN BLUE ARE NEW
- * ALL DEVICES IN BLACK ARE EXISTING TO BE REPLACED OR REMOVED

